

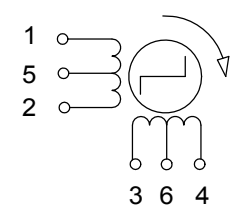
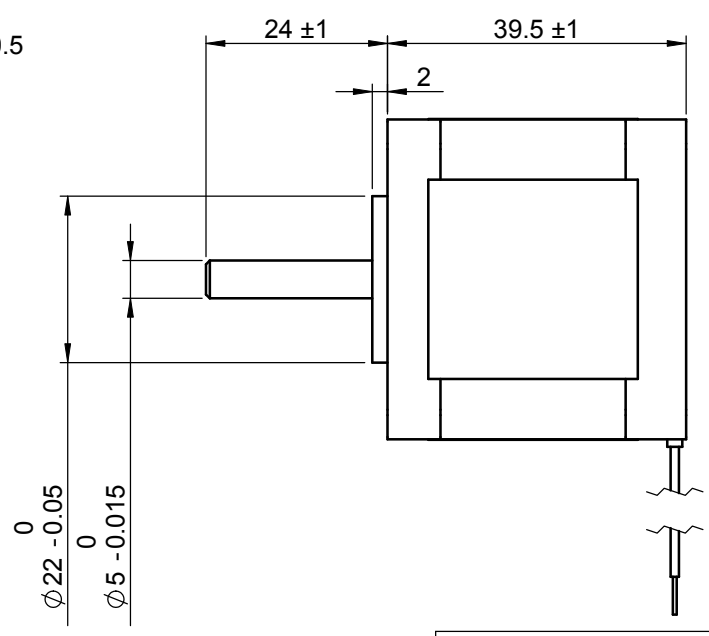
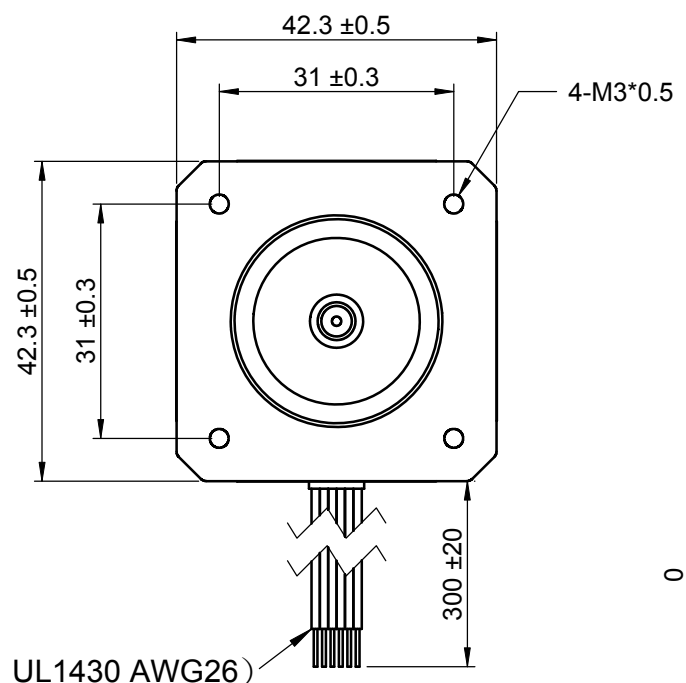
1 2 3 4 5 6

A A

B B

C C

D D



CONNECTOR PIN LOCATION					
PIN	COLOR	CCW ← → CW			
1	BLACK	+	-	-	+
2	GREEN	-	+	+	-
3	RED	+	+	-	-
4	BLUE	-	-	+	+
5	YELLOW				
6	WHITE				

註：以雙極性驅動板測試

<p>THIRD ANGLE PROJECTION</p> <p>ALL DIMENSION ARE IN MM (UNLESS OTHERWISE SPECIFIED)</p>	製圖	JOANNE	Cheshire Electric Company, LLC		
	設計		Part No JH42-D0G1A751		
	審核				
	材料				
繪製比例: 1:1	完成時間	2012/9/14	Name	HB stepper motor	REV. NO. B

MODEL		Motor Characteristics					
JH42-D0G1A751		Resistance	Step Angle	Steps Revolution	Max PIT Rate	Max POT Rate	POT(at400pps)
Constant current	24V 0.5A	3.3Ω	1.8 °	200	1000PPS	1900PPS	2800g-cm

1 2 3 4 5 6